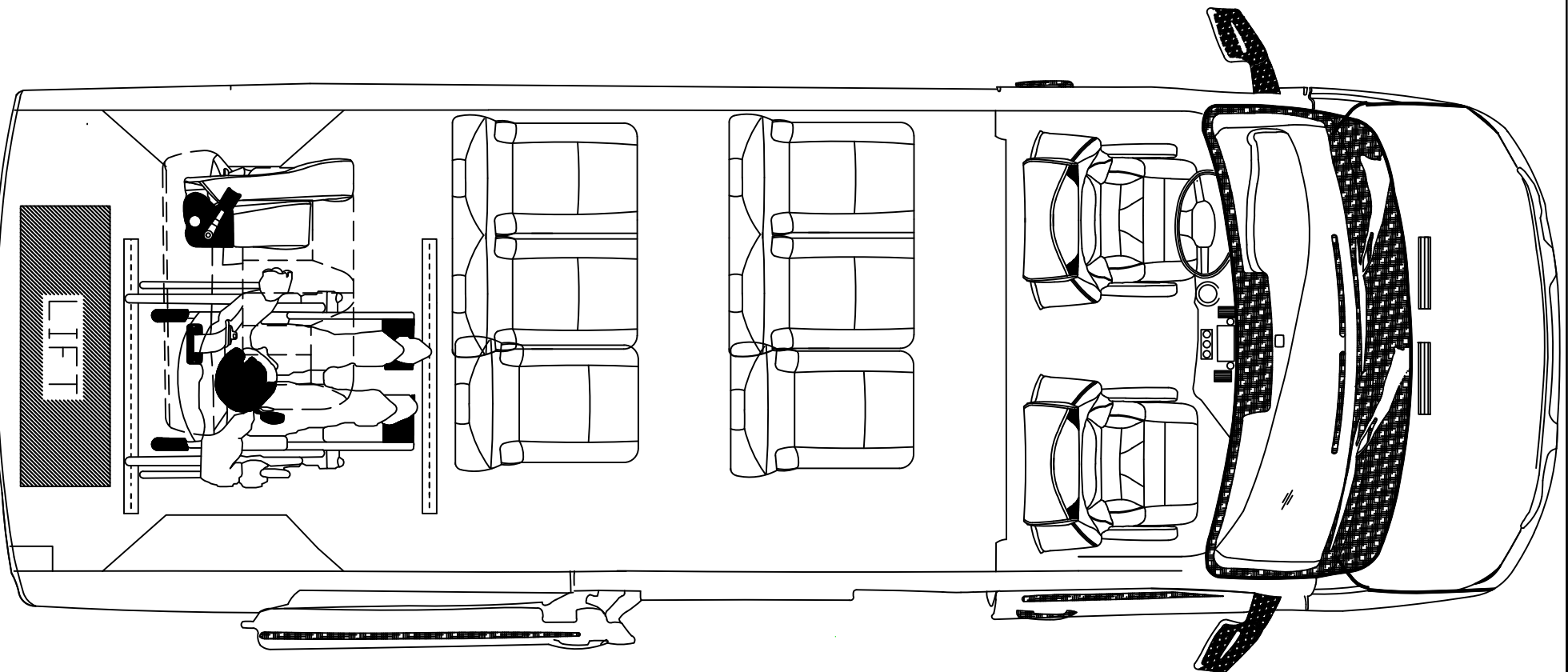


PRIME TIME SV FLOOR PLAN

RAM PROMASTER 2500 MTR-210-1-A



**NOTE: DIMENSIONS MAY NOT BE ACCURATE
THIS DRAWING IS FOR ILLUSTRATION PURPOSES ONLY.**

THIS DRAWING AND THE INFORMATION CONTAINED THEREON ARE THE EXCLUSIVE PROPERTY OF PRIME TIME SV. IT SHALL NOT BE COPIED OR DUPLICATED IN ANY MANNER, NOR SHALL IT BE SUBMITTED TO OUTSIDE PARTIES FOR EXAMINATION WITHOUT OUR WRITTEN CONSENT. IT IS LOANED FOR USE WITH REFERENCE TO WORK UNDER CONTRACT WITH, OR PROPOSALS SUBMITTED BY PRIME TIME SV.

REV LET	REVISIONS	BY	CHK	DATE	ECN NO

TOL UNLESS OTHERWISE SPECIFIED		DATE	ASSY #
DIM.	TOL.	3/20/2015	
0.00	±0.062"	CHKR	REL. DATE
0.000	±0.031"	SUPERCEDES	
		DRAFTSMAN	
		BRAD M.	

PRIME TIME SV	
NAME RAM PROMASTER	
SCALE	DWG NO.
DISK NO.	SHEET OF