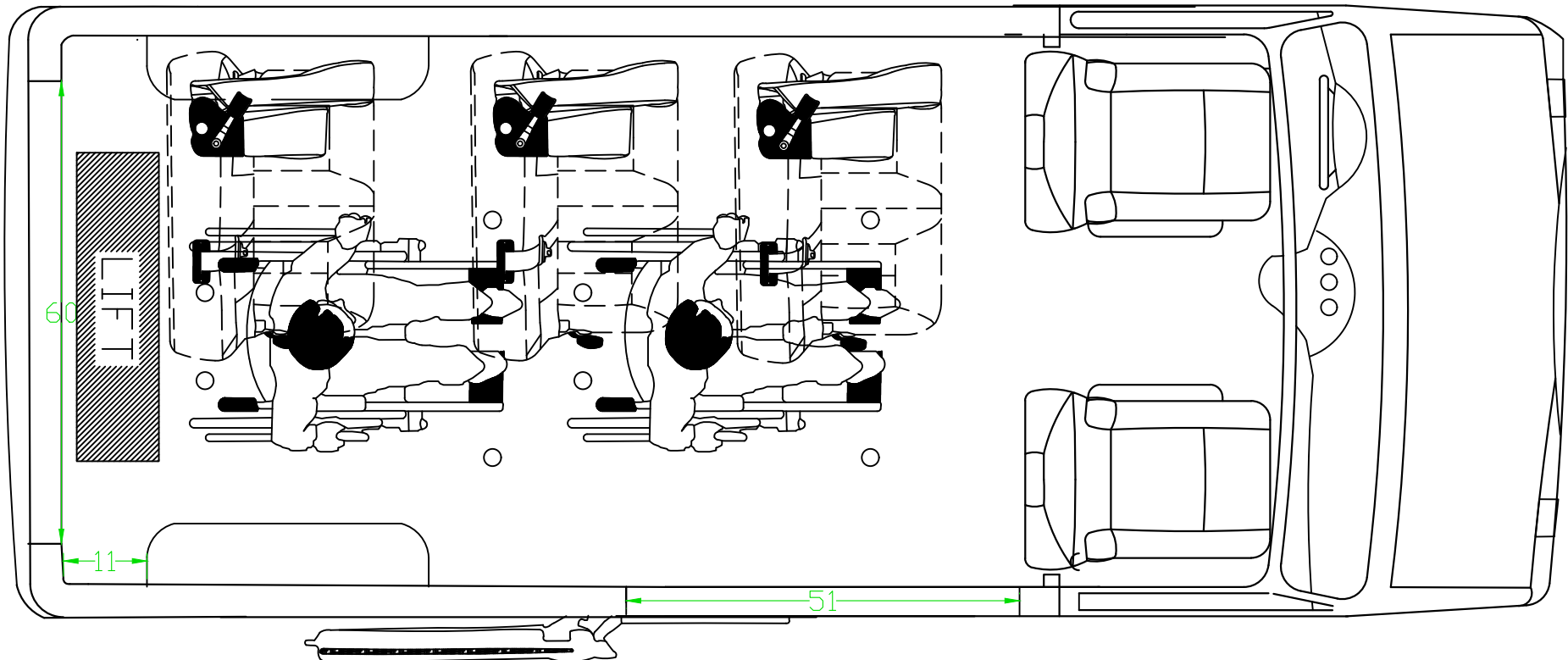


PRIME TIME SV FLOOR PLAN

FORD TRANSIT 250/350 MTR-28-2-K



**NOTE: DIMENSIONS MAY NOT BE ACCURATE
THIS DRAWING IS FOR ILLUSTRATION PURPOSES ONLY.**

THIS DRAWING AND THE INFORMATION CONTAINED THEREON ARE THE EXCLUSIVE PROPERTY OF PRIME TIME SV. IT SHALL NOT BE COPIED OR DUPLICATED IN ANY MANNER, NOR SHALL IT BE SUBMITTED TO OUTSIDE PARTIES FOR EXAMINATION WITHOUT OUR WRITTEN CONSENT. IT IS LOANED FOR USE WITH REFERENCE TO WORK UNDER CONTRACT WITH, OR PROPOSALS SUBMITTED BY PRIME TIME SV.						TOL UNLESS OTHERWISE SPECIFIED	DATE 2/24/15	ASSY #	PRIME TIME SV		
						DIM.	CHKR	REL. DATE		NAME FORD TRANSIT	
						0.00	±0.062"	SUPERCEDES		SCALE	DWG NO.
	REV LET	REVISIONS	BY	CHK	DATE	ECN NO	0.000	±0.031"	DRAFTSMAN BRAD M.	DISK NO.	SHEET